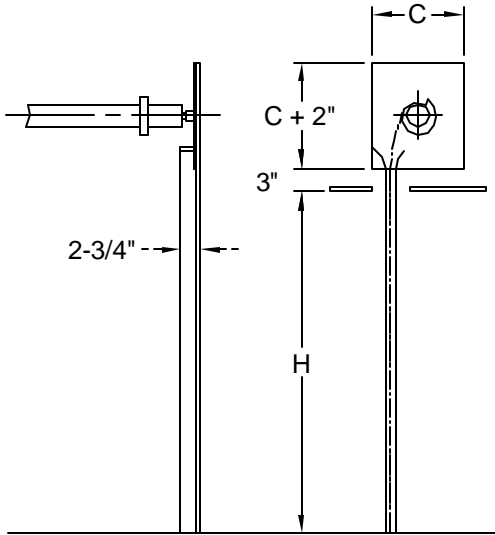
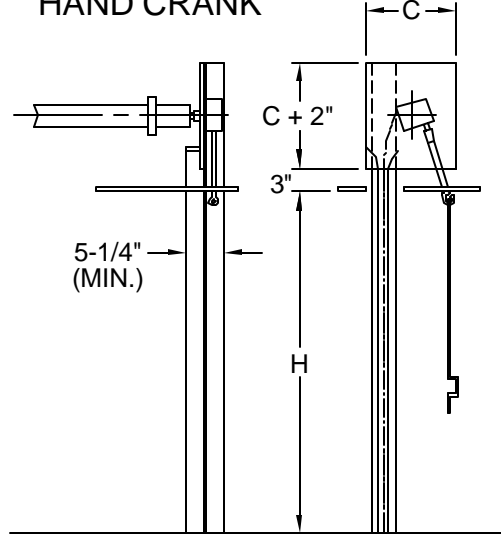


### MANUAL PUSH-UP



UP TO 12'-0" WIDE	
H	C
TO 3'-9"	12"
3'-10" - 6'-5"	12"
6'-6" - 9'-7"	14"
9'-8" - 13'-4"	16"

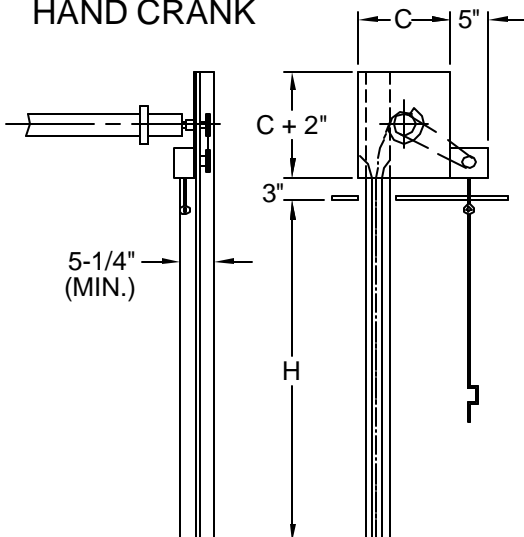
### DIRECT DRIVE HAND CRANK



UP TO 30'-0" WIDE	
H	C
TO 2'-6"	12"
2'-7" - 5'-6"	14"
5'-7" - 9'-1"	16"
9'-2" - 13'-2"	18"

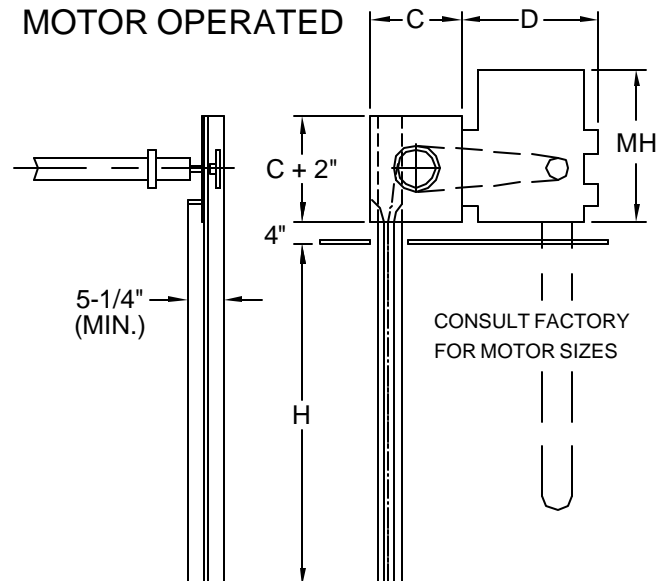
USE THESE TABLES AS A GENERAL GUIDE ONLY - CONSULT MANUFACTURER FOR SPECIFIC APPLICATIONS  
FOR COIL ABOVE CEILING APPLICATIONS DO NOT SPECIFY HOODS

### INDIRECT DRIVE HAND CRANK

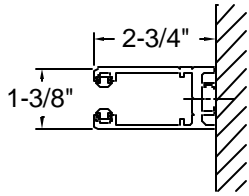


UP TO 30'-0" WIDE	
H	C
TO 2'-6"	12"
2'-7" - 5'-6"	14"
5'-7" - 9'-1"	16"
9'-2" - 13'-2"	18"

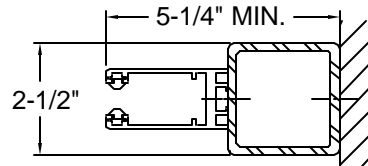
### MOTOR OPERATED



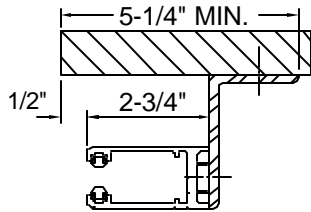
WIDER THAN 30'-0"	
H	C
TO 3'-1"	14"
3'-2" - 6'-8"	16"
6'-9" - 10'-9"	18"
10'-10" - 15'-4"	20"



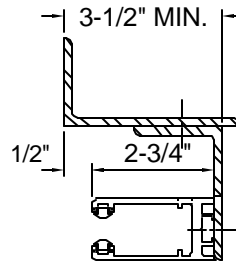
BETWEEN JAMB



HAND CRANK OR MOTOR  
BETWEEN JAMBS

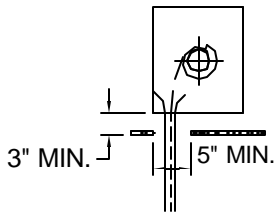


FACE MOUNTED

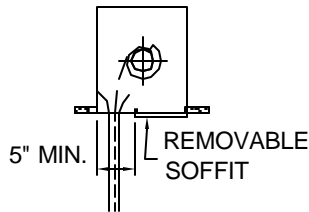


FACE MOUNTED  
TO STEEL

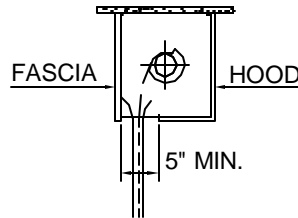
ABOVE CEILING  
NO HOOD



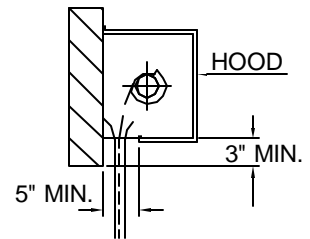
FLUSH WITH  
CEILING



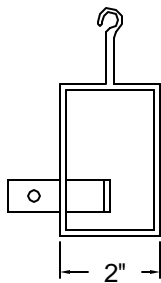
BELOW  
CEILING



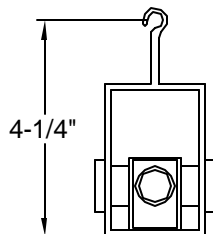
FACE OF WALL  
MOUNT



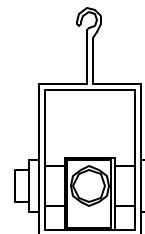
BOTTOM BAR LOCKING



SLIDE BOLT  
FROM ONE SIDE ONLY



CYLINDER LOCK  
MASTER KEYABLE  
FROM ONE SIDE  
OR BOTH SIDES



THUMBTURN LOCK  
FROM ONE SIDE  
OR BOTH SIDES