

# AMSTEL ROLLING GRILLES

## **Instructions for installation and maintenance of Amstel Rolling Grilles Gardaire, PolyGuard, Brick and Straight-Link (V.L.) Models Between Jamb or Face of Wall Mounted Manual, Hand Crank or Motor Operator**

---

**GENERAL TERMS:** Right Hand (R.H.) and Left Hand (L.H.) are to be read looking at the grille from the inside, or hood – or coil side.

**IMPORTANT:** The instructions are to be read in conjunction with the accompanying drawing(s).

Each Grille consists of:

One set of guide assemblies: a) Standard Parts: Two guides, two brackets, two stoppers.  
b) Parts varying with type of operator: One flanged ball-bearing, one crank box, one or two spacer tubes, one or two flat bars, one or two lugs, and guide mounting angles.

One grille curtain assembly: Made up of link chains, grille rods, spacer tubes, bottom bar, top slats, end caps, plastic inserts (on PolyGuard), slide bolts, key operated cylinder locks (if applicable).

One pipe barrel assembly consisting of: One pipe, several involute rings (they may be substituted by slat mounting bars), one continuous shaft for manual operation only (it will be split into two sections for crank or motor operation), one spring adjusting wheel, internally mounted spring and castings and one sprocket (for crank or motor operation only).

One hood, fascia and/or soffit: If applicable.  
Hood support(s) if applicable.

Before commencing installation, it is a good precaution to cut a wood gauge rod equal in length to the distance between the guides.

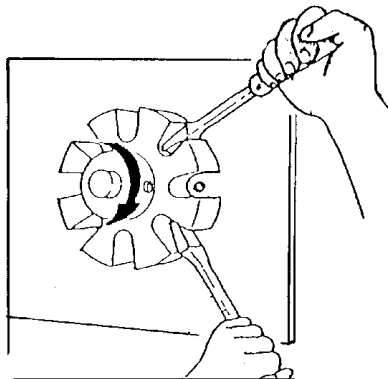
Cont'd.....

---

**Amstel**

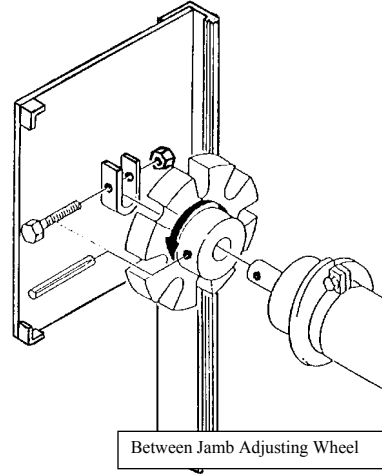
111 CARLAUREN ROAD  
WOODBIDGE, ONTARIO, L4L 8A8  
TEL.(905) 850-7122 FAX.(905) 850-7336  
1-800-663-6206

**GENERAL STEPS FOR INSTALLATION:**

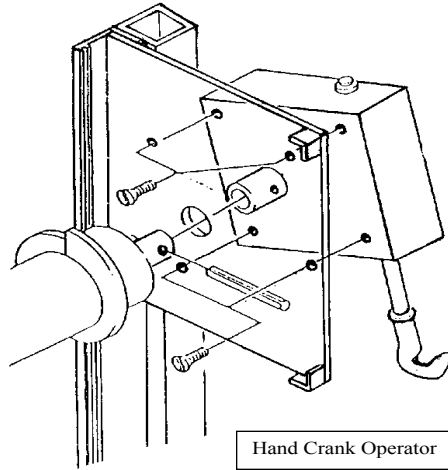


Face of Wall Adjusting Wheel

Note: We recommend that you use 3/8" thick x 7/8" wide steel flat bars instead of screwdrivers as shown in the illustration.



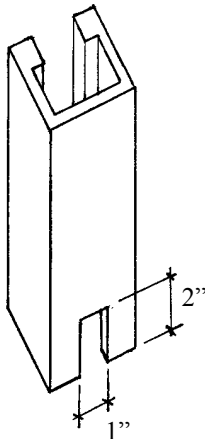
Between Jamb Adjusting Wheel



Hand Crank Operator

**DO NOT ASSUME THAT FLOOR IS LEVEL !  
THIS IS VERY IMPORTANT.**

**We recommend using a laser or water level for wide openings.**



Step 1: Compare opening size with measurements of drawing or installation sheet.

Step 2: Remove stops from guide assemblies and locate guide assemblies as indicated on drawing or installation sheet. The guide assemblies must be plumb and parallel and the brackets must be **level**. (Use wood gauge rod). Now mark location of mounting holes on wall or jambs and drill pilot holes for the fasteners provided. Additionally For Between Jamb Mounting: Also mark the location of the cutout in the bottom of the guide (see illustration of back of guide at left).

Cont'd...

Remove the guide from the wall and cut out the material in the area that you have traced. This recess is for the locking bolt.

- Step 3: Manual – Mount guide assemblies between jambs or to wall and recheck measurements.
- Step 3a: Crank or Motor Operation – Mount guide and bracket plate assembly to jamb or wall.
- Step 4: Manual – Place pipe barrel assembly between brackets. Check that it is level and free running.
- Step 4a: Crank or Motor Operation – Remove bracket plates from guides. Take drive side bracket and slip it over the drive end of the pipe barrel assembly. Slip the adjusting wheel end of the pipe barrel assembly into the opposite bracket, hoist pipe barrel into position, reattach bracket plates to guides. Check to ensure that the pipe barrel is level and free running. Mount the sprocket back on to the drive shaft (outside of bracket).
- Step 5: Take the grille curtain assembly and feed it into the guides from the top. Place it into position so that it will have the same clearance to the brackets on both sides.
- Step 6: Fasten the grille curtain assembly to the involute rings or slat mounting bars. Re-check the clearance to the brackets on both sides to ensure that curtain is centered.
- Step 7: Put stops back on guide assemblies and lower the grille curtain all the way to the floor.
- Step 8: Wind the adjusting wheel in the direction of the opening grille until the grille starts to rise. Insert the locking bolt into the shaft through the hole in the lug or insert locking pin into the adjusting wheel through the hole in the locking angle.
- Step 9: The grille should coil easily up and down and stay up once the bottom bar contacts the stops. If re-adjustment is required, remove the bolt or pin from the adjusting wheel and carefully wind the adjusting wheel as before to increase tension, or opposite to decrease tension (on motorized grilles balance is not quite as important, since the motor will take care of the rest of the adjustment).
- Step 10: After securing the adjusting wheel with bolt or pin, move the grille up and down several times to make sure that it is working properly. (if crank or motor operated , then mount the chain to the sprockets). Now take the hood, fascia and/or soffit, if applicable, and fasten them to angles, brackets, ceiling or wall.

## **MAINTENANCE INSTRUCTIONS:**

The guides should be kept clean of dirt, particularly in the area of the bottom of the guide pocket where dust and dirt can accumulate. The grille curtain should be cleaned once a year with a damp rag and non-abrasive cleaner. For motorized or crank operated grilles, the chain should be lubricated four times a year. At least once a year the grille curtain balance should be checked and the tension adjusted if necessary.