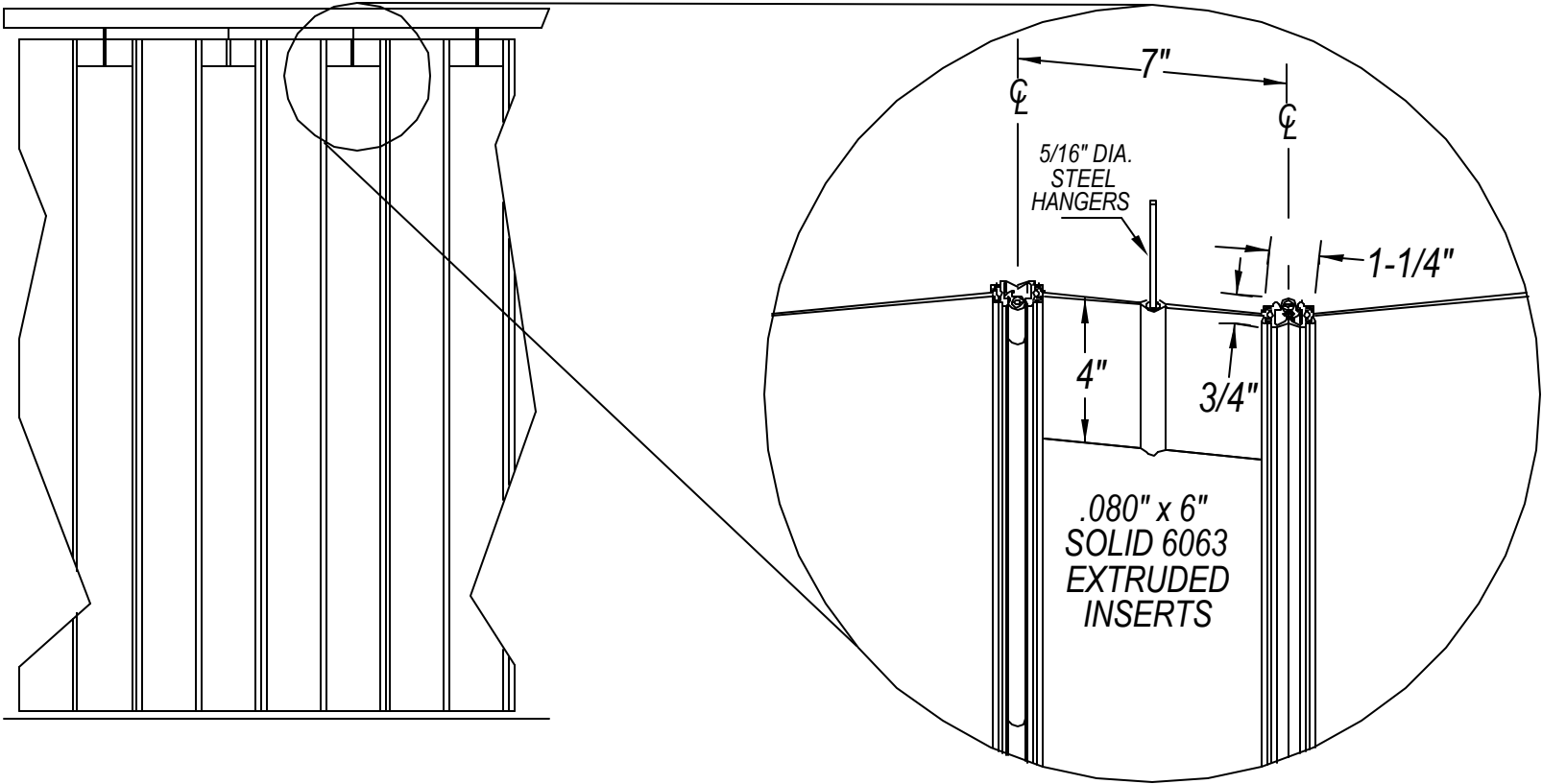


SOLID VISTA CURTAIN DETAIL



MATERIAL: 6063 ALUMINUM ALLOY (T5)

